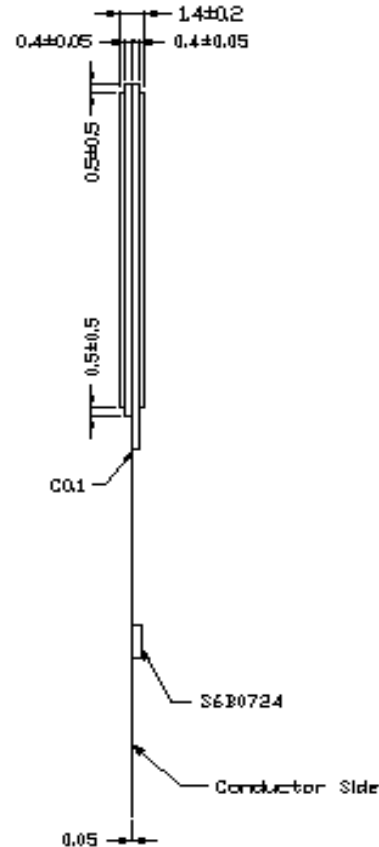
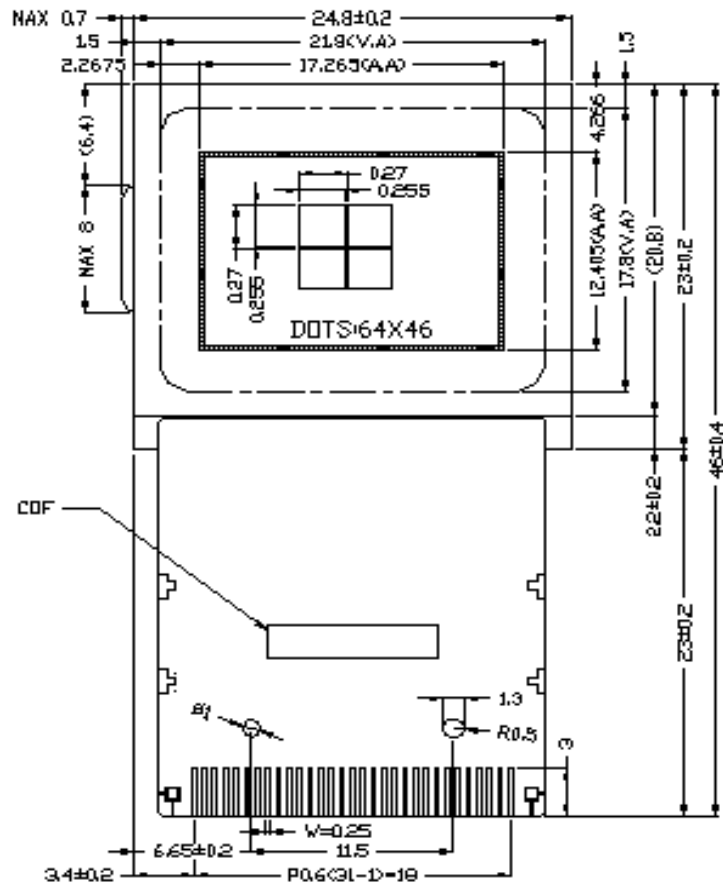


# • BFG6446

## OUTLINE TABLE



## FEATURE

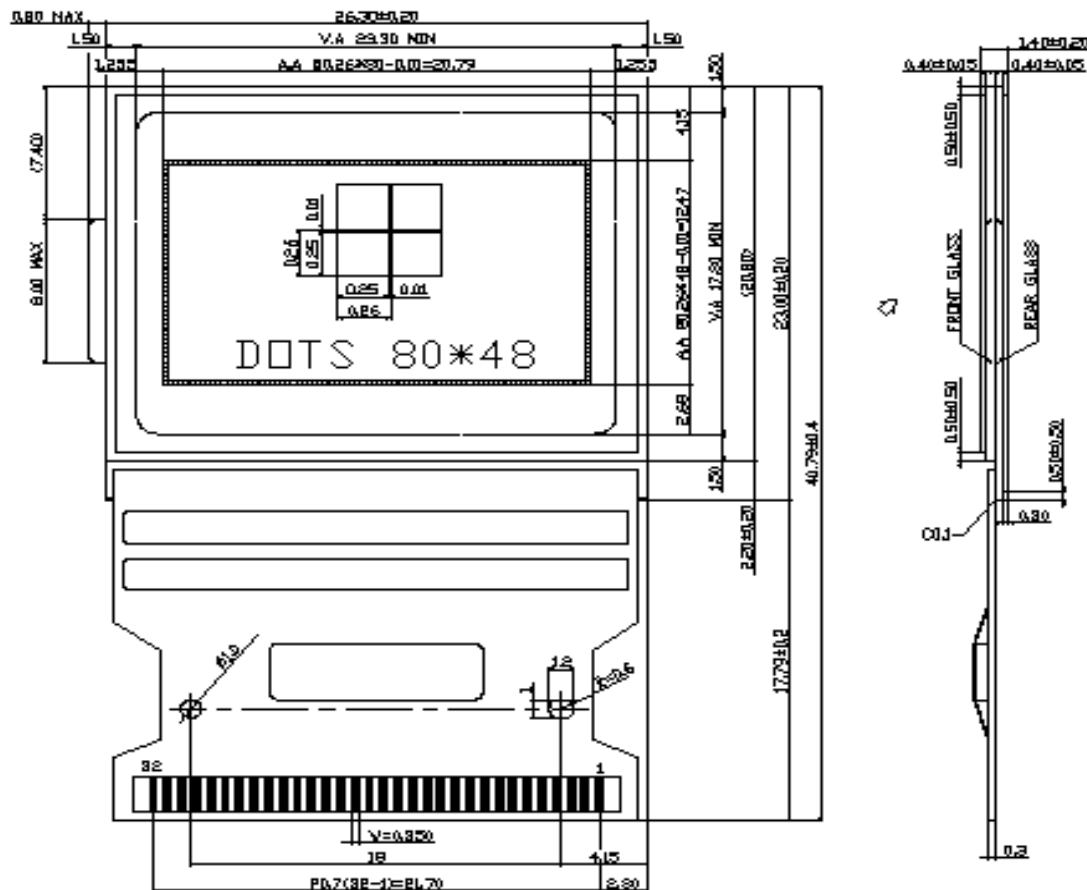
Viewing Direction	6 O'CLOCK
Display Type	FSTN POSITIVE TRANSFLECTIVE
Operating Method	1/49 DUTY 1/8 BIAS
Operating Voltage	9.1±0.5V 25°C
Operating Temperature	-20°~70°C
Storage Temperature	-30°~80°C

## PIN TABLE

NO	PIN NAME	NO	PIN NAME
1	NC	17	VDD
2	C68	18	D7
3	VR	19	D6
4	V0	20	D5
5	V4	21	D4
6	V3	22	D3
7	V2	23	D2
8	V1	24	D1
9	C2-	25	DO
10	C2+	26	E,/RD
11	C1+	27	R,/W,/WR
12	C1-	28	RS
13	C3+	29	/RESET
14	C4+	30	/CS1
15	VOUT	31	NC
16	VSS		

# •BTG8048

## OUTLINE DIMENSION



## FEATURE

Viewing Direction	6 O'CLOCK
Display Type	FSTN POSITIVE TRANSFLECTIVE
Operating Method	1/49 DUTY 1/6 BIAS
Operating Voltage	8±0.5V
Operating Temperature	-20°~70°C
Storage Temperature	-30°~80°C

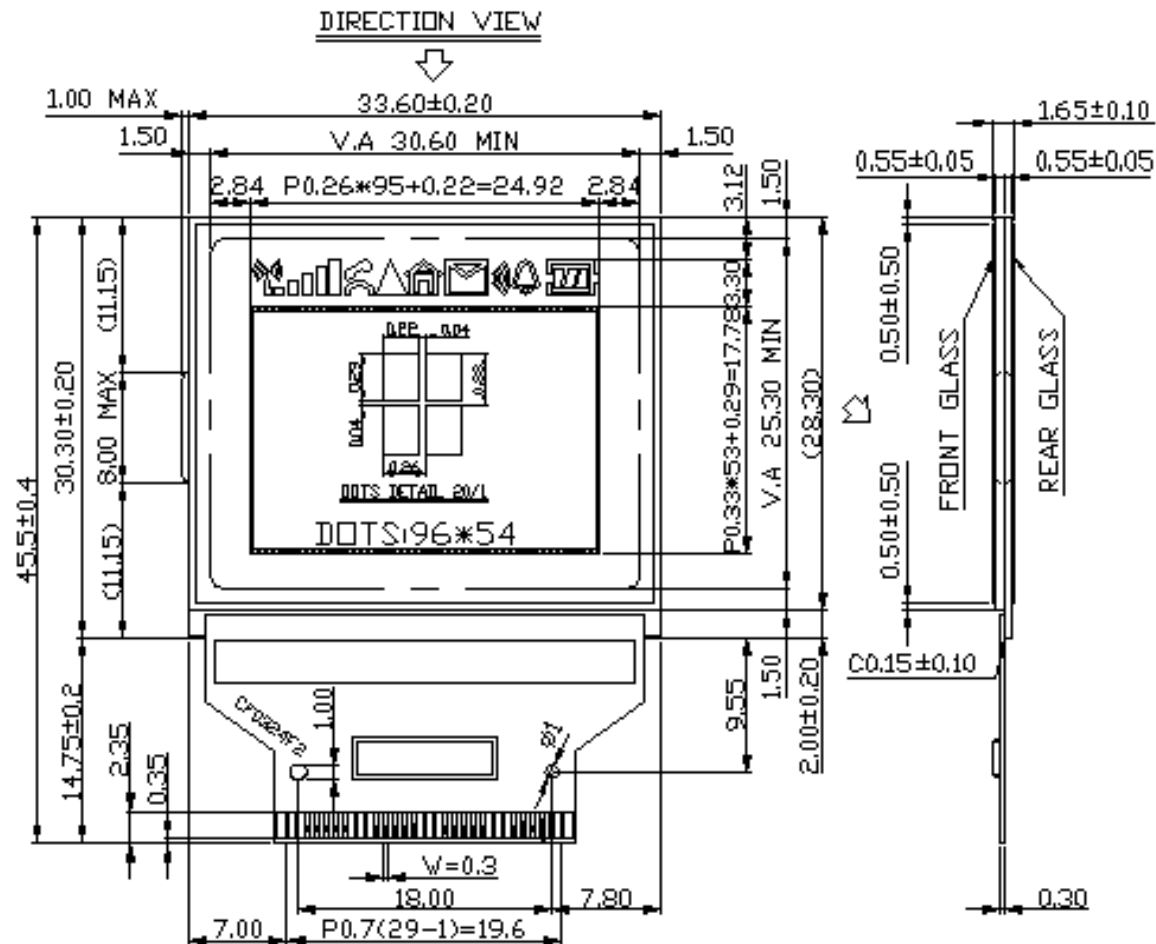
## PIN TABLE

NO	PIN NAME	NO	PIN NAME
1	NC	17	VSS
2	CS1	18	VOUT
3	CS2	19	C4+
4	RESETB	20	C3+
5	RS	21	C1-
6	RW WRB	22	C1+
7	E_RDB	23	C2+
8	DB0	24	C2-
9	DB1	25	V1
10	DB2	26	V2
11	DB3	27	V3
12	DB4	28	V4
13	DB5	29	V5
14	DB6	30	VR
15	DB7	31	C6B
16	VDD	32	NC



# • BTG9654C

## OUTLINE DIMENSION



## FEATURE

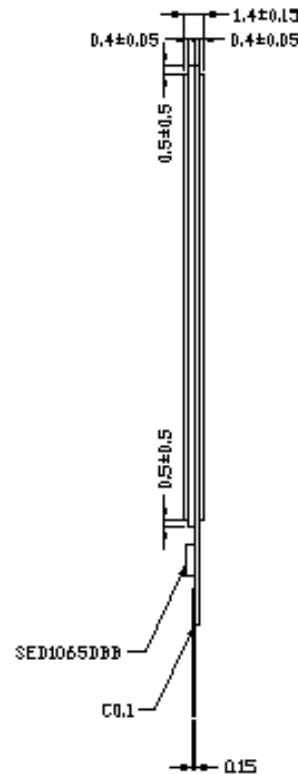
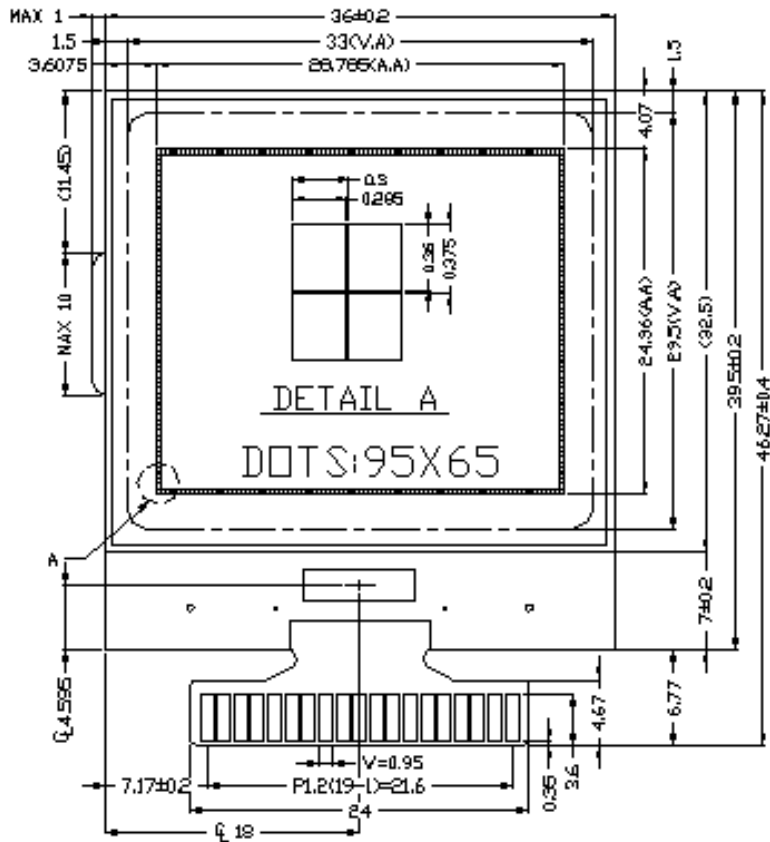
Viewing Direction	12 O'CLOCK
Display Type	FSTN POSITIVE TRANSELECTIVE
Operating Method	1/55 DUTY 1/8 BIAS
Operating Voltage	9.6 ± 0.5V 25°C
Operating Temperature	0°~60°C
Storage Temperature	-10°~80°C

## PIN TABLE

NO	PIN NAME	NO	PIN NAME
1	NC	16	VDD
2	VSS	17	DB7
3	V0	18	DB6
4	V1	19	DB5
5	V2	20	DB4
6	V3	21	DB3
7	V4	22	DB2
8	V5	23	DB1
9	C1+	24	DB0
10	C2+	25	RW_WR
11	C1-	26	RS
12	C1-	27	RESETR
13	C3+	28	DSIB
14	VOUT	29	NC
15	VSS		

# • BGG9665

## OUTLINE DIMENSION



## FEATURE

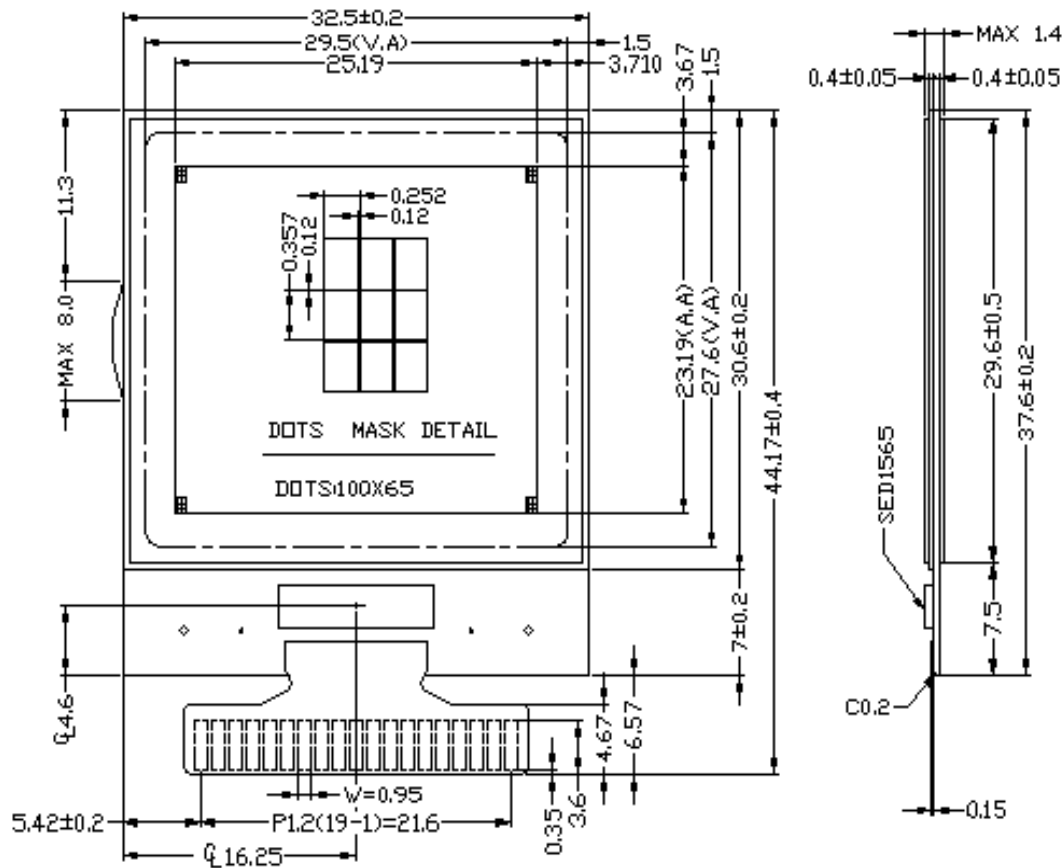
Viewing Direction	6 O'CLOCK
Display Type	FSTN
	POSITIVE
	TRANSFLECTIVE
Operating Method	1/65 DUTY
	1/9 BIAS
Operating Voltage	13±0.5V 25°C
Operating Temperature	-20°~70°C
Storage Temperature	-30°~80°C

## PIN TABLE

NO	PIN NAME	NO	PIN NAME
1	/CS1	11	CAP1-
2	/RES	12	CAP2-
3	A0	13	CAP2+
4	D6,SCL	14	V1
5	D7,SI	15	V2
6	VDD	16	V3
7	VSS	17	V4
8	VOUT	18	V5
9	CAP3-	19	VR
10	CAP1+		

# • BGG10065

## OUTLINE DIMENSION



## FEATURE

Viewing Direction	6 O'CLOCK
Display Type	FSTN
	POSITIVE
	TRANSFLECTIVE
Operating Method	1/65 DUTY
	1/9 BIAS
Operating Voltage	$9 \pm 0.5V$ 25°C
Operating Temperature	-20°~70°C
Storage Temperature	-30°~80°C

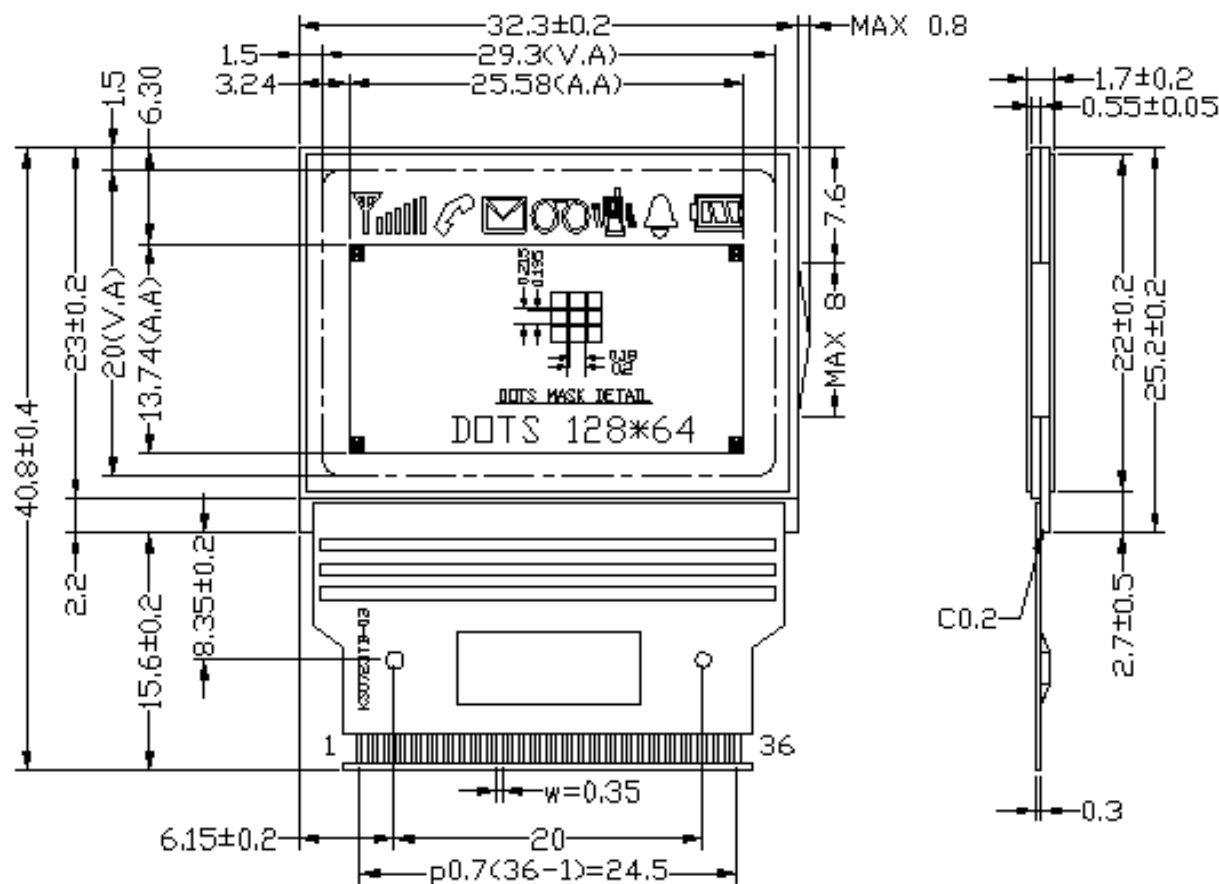
## PIN TABLE

NO	NAME	NO	NAME
1	/CS1	11	CAP1-
2	/RES	12	CAP2-
3	A0	13	CAP2+
4	D6,SCL	14	V1
5	D7,SI	15	V2
6	VDD	16	V3
7	VSS	17	V4
8	VOUT	18	V5
9	CAP3-	19	VR
10	CAP1+		



# • BTG12864C

## OUTLINE DIMENSION



## FEATURE

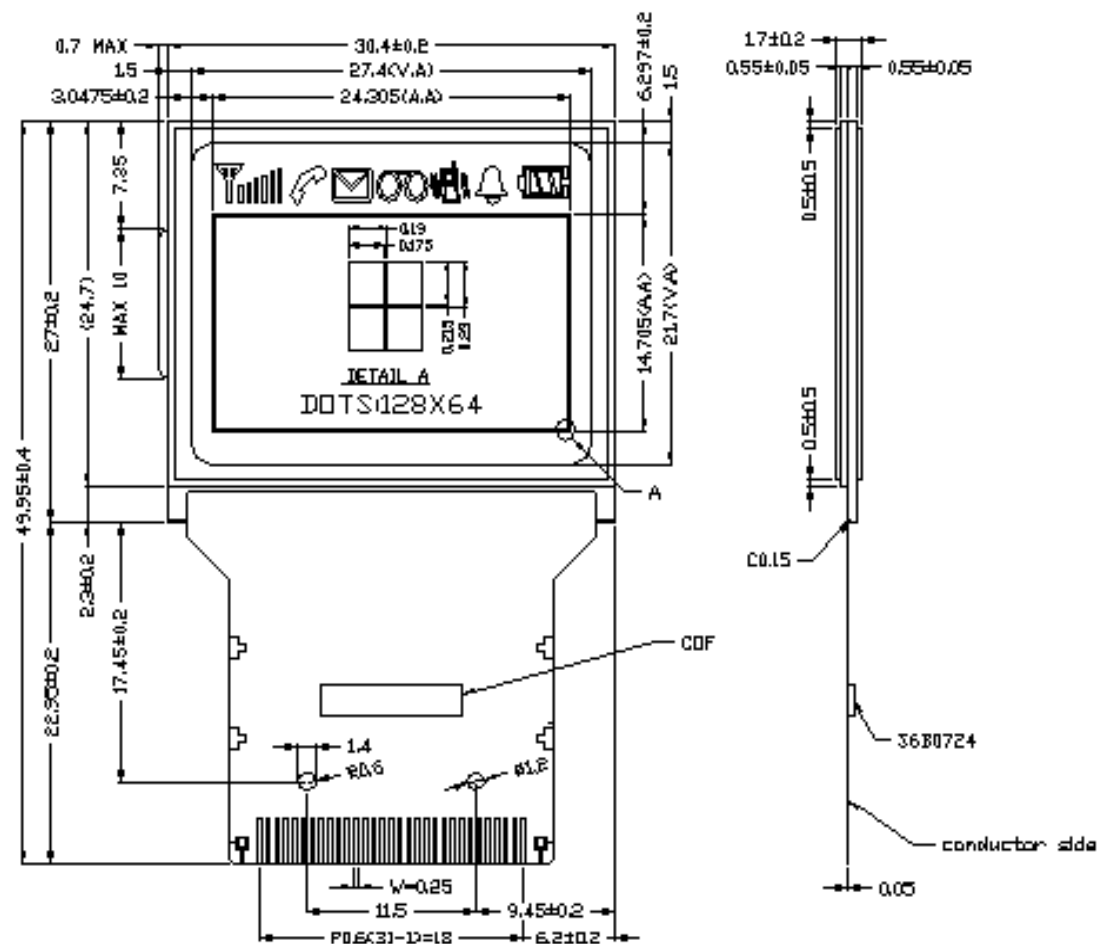
Viewing Direction	6 O'CLOCK
Display Type	FSTN
	POSITIVE TRANSFLECTIVE
Operating Method	1/65 DUTY
	1/9 BIAS
Operating Voltage	$9.66 \pm 0.5V$ 25°C
Operating Temperature	-20°~70°C
Storage Temperature	-30°~80°C

## PIN TABLE

NO	PIN NAME	NO	PIN NAME
1	NC	19	VSS
2	CS1	20	VOUT
3	CS2	21	CAP4+
4	RESETB	22	CAP3+
5	RS	23	CAP1-
6	RW_WRB	24	CAP1+
7	E_RDB	25	CAP2+
8	D0	26	CAP2-
9	D1	27	V1
10	D2	28	V2
11	D3	29	V3
12	D4	30	V4
13	D5	31	V0
14	D6_SCL	32	VR
15	D7_SI	33	C68
16	DUTY0	34	PS
17	DUTY1	35	INTR2
18	VDD	36	NC

# •BFG12864C

## OUTLINE DIMENSION



## FEATURE

Viewing Direction	6 O'CLOCK
Display Type	FSTN POSITIVE TRANSFLECTIVE
Operating Method	1/85 DUTY 1/9 BIAS
Operating Voltage	10.8±0.5V 25°C
Operating Temperature	-20°~70°C
Storage Temperature	-30°~80°C

## PIN TABLE

NO	PIN	NAME	NO	PIN	NAME
1	NC		17	VDD	
2	C8B		18	D7	
3	VR		19	D8	
4	V0		20	D5	
5	V4		21	D4	
6	V3		22	D3	
7	V2		23	D2	
8	V1		24	D1	
9	C2-		25	D0	
10	C2+		26	E,/RD	
11	C1+		27	R,/W,/WR	
12	C1-		28	RS	
13	C3+		29	/RESET	
14	C4+		30	/CS1	
15	VOUT		31	NC	
16	VSS				

